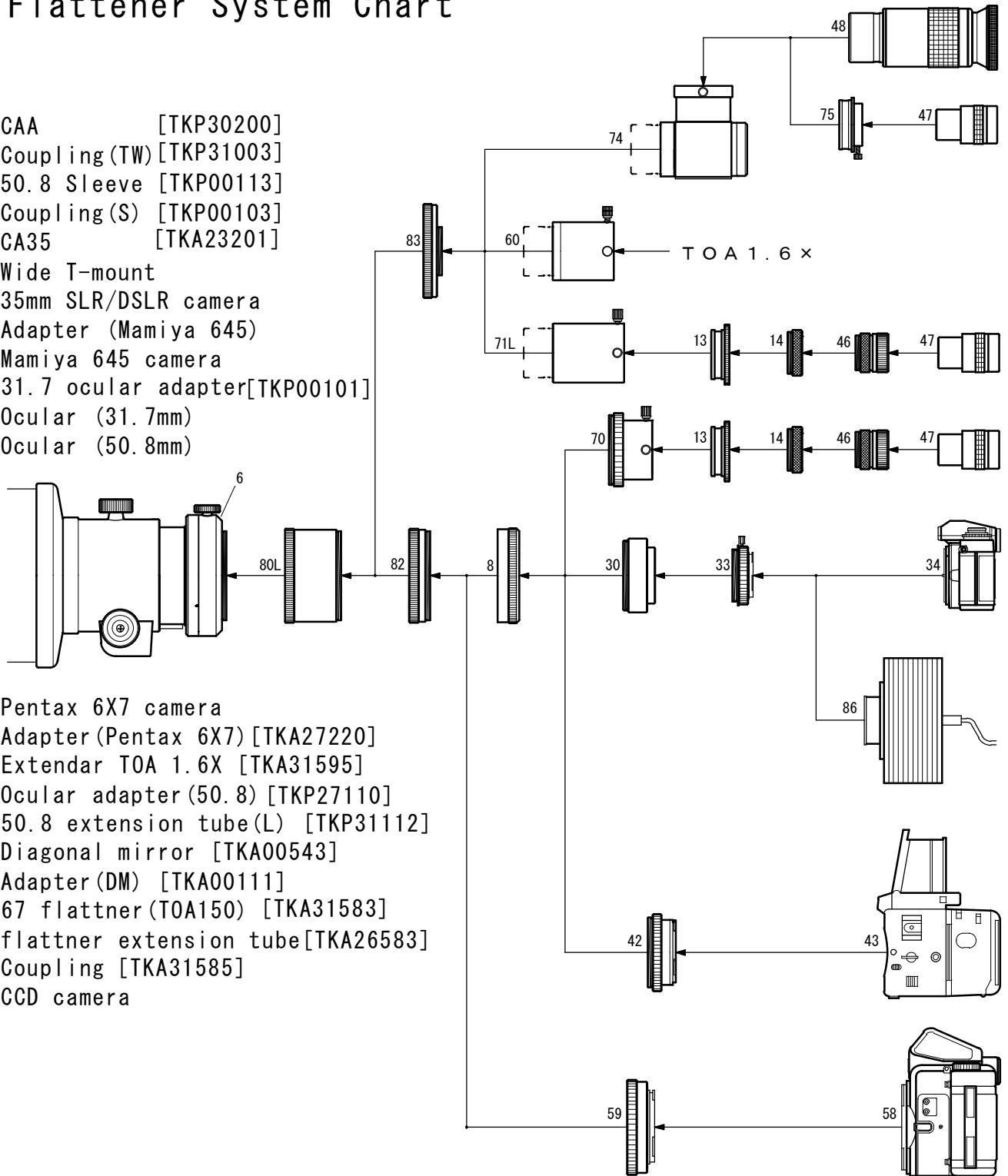


TOA-150

67 Flattener System Chart

- 6. CAA [TKP30200]
- 8. Coupling (TW) [TKP31003]
- 13. 50.8 Sleeve [TKP00113]
- 14. Coupling (S) [TKP00103]
- 30. CA35 [TKA23201]
- 33. Wide T-mount
- 34. 35mm SLR/DSLR camera
- 42. Adapter (Mamiya 645)
- 43. Mamiya 645 camera
- 46. 31.7 ocular adapter [TKP00101]
- 47. Ocular (31.7mm)
- 48. Ocular (50.8mm)



- 58. Pentax 6X7 camera
- 59. Adapter (Pentax 6X7) [TKA27220]
- 60. Extendar TOA 1.6X [TKA31595]
- 70. Ocular adapter (50.8) [TKP27110]
- 71L 50.8 extension tube(L) [TKP31112]
- 74. Diagonal mirror [TKA00543]
- 75. Adapter (DM) [TKA00111]
- 80L 67 flattner(TOA150) [TKA31583]
- 82. flattner extension tube [TKA26583]
- 83. Coupling [TKA31585]
- 86. CCD camera

Note: When the Diagonal Mirror, Extender TOA 1.6x, and 50.8 Extension Tube are attached respectively to the Coupling (67 Flattener: No. 83), remove its sleeve.